



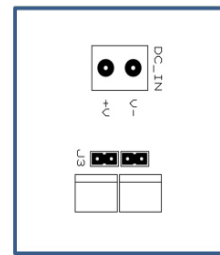
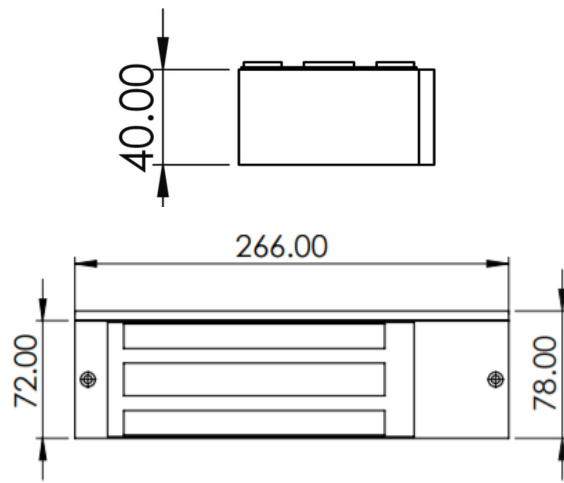
# STANDARD MAGNETIC LOCK (1200LB)

**MAGNETIC LOCK**

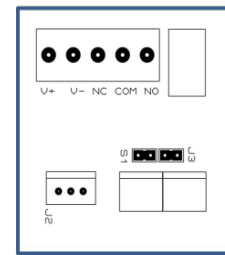
**FIRE TESTED** to BSEN1634-1-2014 & BS476:Part22:1987 (30, 60, 90 & 120 min timber door-sets)



**ML1200 / ML1200-M**



**ML1200**



**ML1200-M**

Fire tested range of maglocks and brackets from a market leader in access control.

SPECIFICATION	FEATURES	OTHER PRODUCTS
---------------	----------	----------------

ML1200 / ML1200-M

- Aluminium housing
- 12/24 VDC @600/300mA
- 545kg (1200lb) holding force
- Built in surge protection
- Surface mount
- Fail safe operation (power to lock)
- +/- 15% voltage tolerance
- 10° to +50° operating temperature
- Push off release pin on armature

ML1200-M only

- Monitored
- Voltage free relay contacts

ML1200 / ML1200-M

- Fire rated (30, 60, 80 & 120 min timber door set)
- Standard magnet
- Clean and compact design
- No residual magnetism
- Power LED indication on ML1200 (Red LED only)
- Status LED indication on ML1200-M (Red to Green)

Suitable Brackets/Housings:

- BK1200ZL (ZL bracket)
- BK1200-F-L/AB (Architectural F/ZL)

INWARD  
OUTWARD

- BK1200L (L Bracket)
- ADJ1200-L (Highly adjustable L)
- AH1200 (Required for Fire Doors)



**DIMENSIONS**

ML1200 / ML1200-M

- 266x72x40 (mm) Maglock (LxWxD)
- 185x60x15 (mm) Armature (LxWxD)
- 4.27kg Boxed
- 2.79kg Unboxed

**CONTENTS**

ML1200 / ML1200-M

- Standard magnet
- Armature plate
- 1200GB fixing kit
- Instructions
- Armature fixing template

